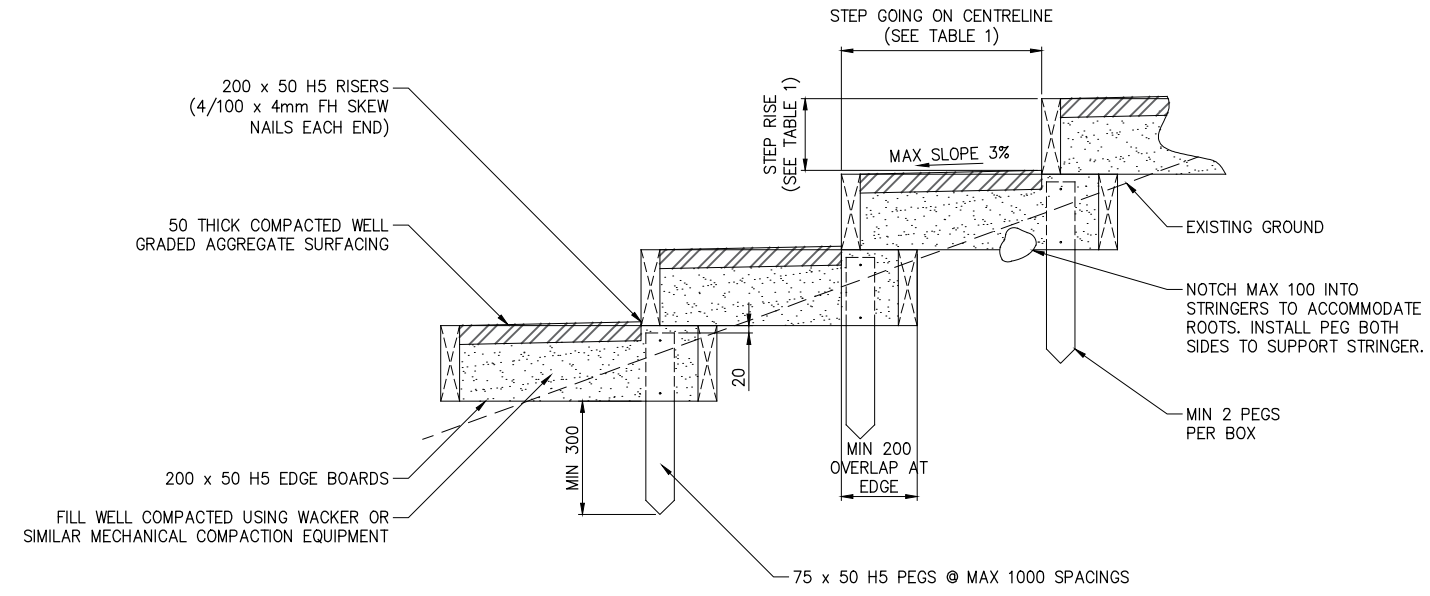


01 TYPICAL PLAN ON LANDING
SCALE: 1:20 @ A3



02 TYPICAL ELEVATION ON BOXED STEPS
SCALE: 1:20 @ A3

TABLE 1 - STEP GEOMETRY

ANGLE	RISE	GOING
18° / 33%	190	575
20° / 36%	190	530
22° / 40%	190	475
24° / 45%	190	420
27° / 50%	190	380
30° / 58%	190	330
31° / 60%	190	315

GENERAL NOTES:

- TYPE B BOXED STEPS ARE TO BE USED WHERE THE PLAN DRAWING SHOWS THE FLIGHT OF STEPS TO BE CURVED.
- A HANDRAIL IS REQUIRED ON ONE SIDE OF BOXED STEPS WHERE THE SAFETY OF USERS IS AT RISK ON UR AND SST SITES. IT IS NOT NECESSARY ON DV OR BCC SITES. REFER TO SHEET 302 FOR HANDRAIL DETAILS.
- DRAINAGE CONTROL TO BE PROVIDED AT EACH LANDING. THROUGH 150mmØ SMOOTH WALLED CULVERTS.
- PROVIDE LANDING EVERY 13 STEPS 190mm. LANDING SHALL CONSIST OF AT LEAST 1000mm LEVEL STEP.
- STEPS SHALL HAVE UNIFORM LENGTH AND RISER HEIGHT WITHIN EACH FLIGHT BETWEEN LANDINGS.
- TIMBER GRADE:
- ALL TO BE N01 FRAMING OR BETTER.
- TIMBER TREATMENT:
- SAWN TIMBER IN CONTACT WITH GROUND TO BE H5.
- TREATMENT SHALL COMPLY WITH THE CURRENT REQUIREMENTS OF THE TIMBER PRESERVATION COUNCIL. ALL TIMBER SHALL BE BRANDED WITH THE APPROPRIATE WOODMARK. IT IS PREFERRED THAT TIMBER BE TREATED AT LEAST 2 MONTHS PRIOR TO USE.
- NAILS:
-GENERAL STRUCTURAL USE 100 x 4mm FH.
-ALL NAILS SHALL BE HOT DIPPED GALVANISED.

DESIGNED:	AM	18/02/19					
DRAWN:	JC	18/02/19					
DWG CHK:	AM	18/02/19					
DSGN CHK:	AM	18/02/19					
APPROVED:	-	-	1 FOR INFORMATION	SD	AM	20/03/19	
			0 FOR INFORMATION	JC	AM	18/02/19	
BY	DATE	REVISION		BY	APRVD	DATE	



**AUCKLAND COUNCIL
STANDARD WALKWAY DETAILS
TYPICAL BOXED STEPS - TYPE B**



STATUS:	FOR INFORMATION ONLY
DRAWING NO:	1860-301

CONTRACT NUMBER:	-
SCALE:	AS SHOWN
REVISION:	1